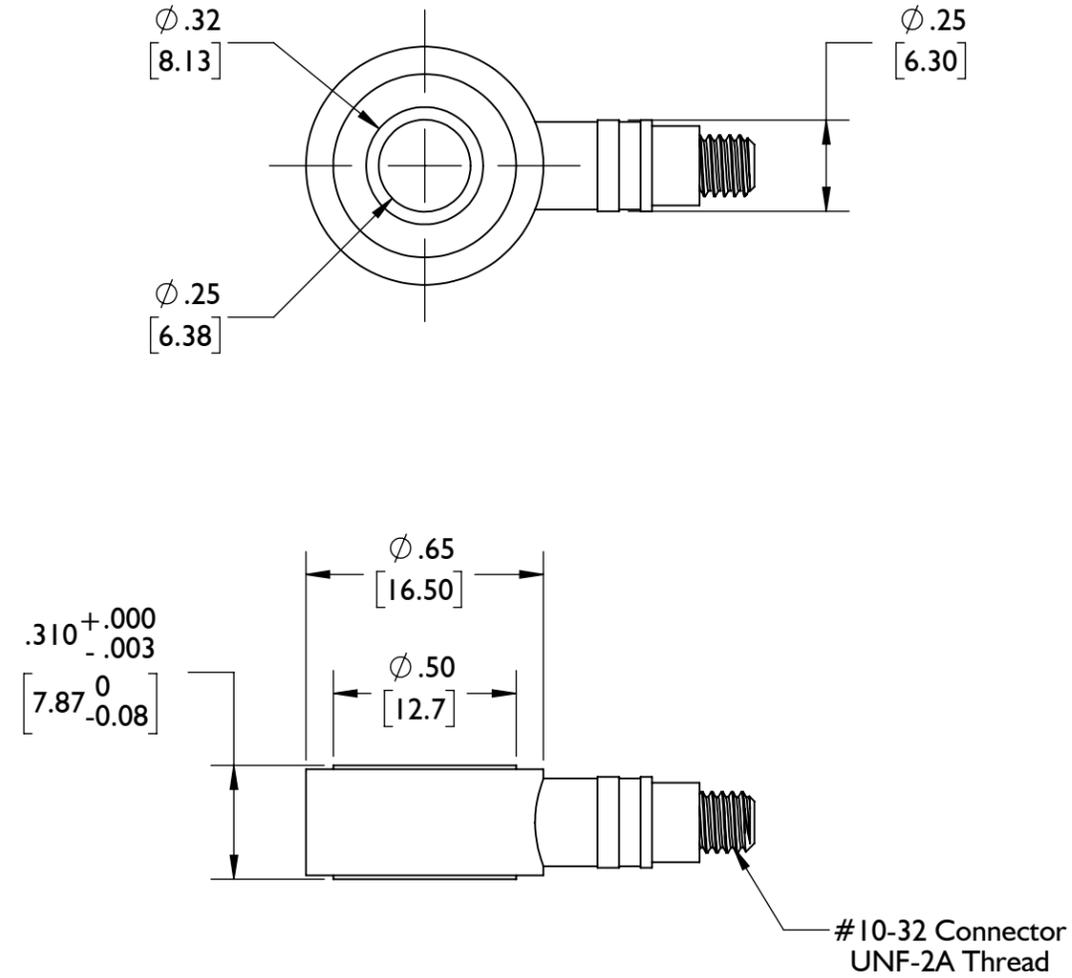
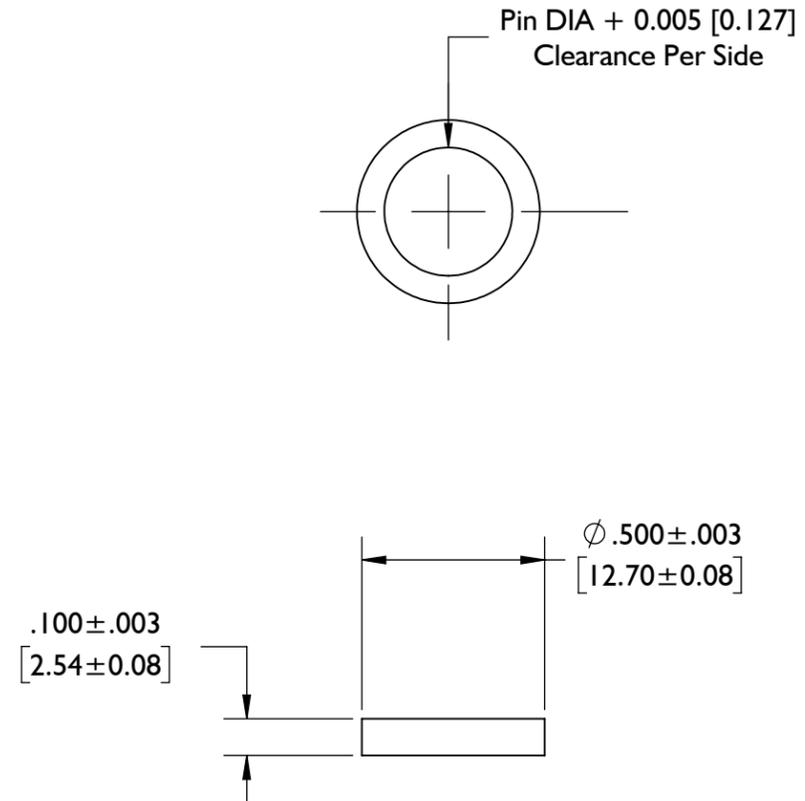


Piezoelectric Load Washer Sensor 211M18 Dimensions



OPTIONAL SPACER [IF REQUIRED]

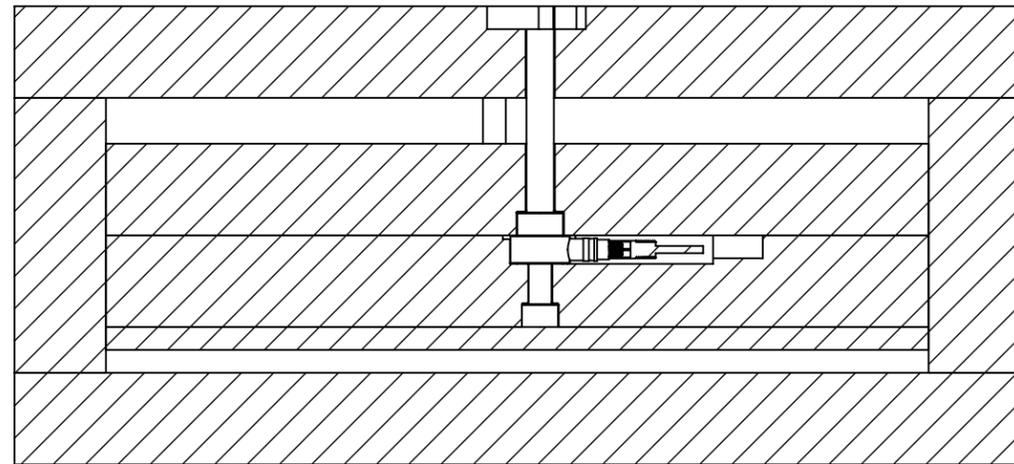
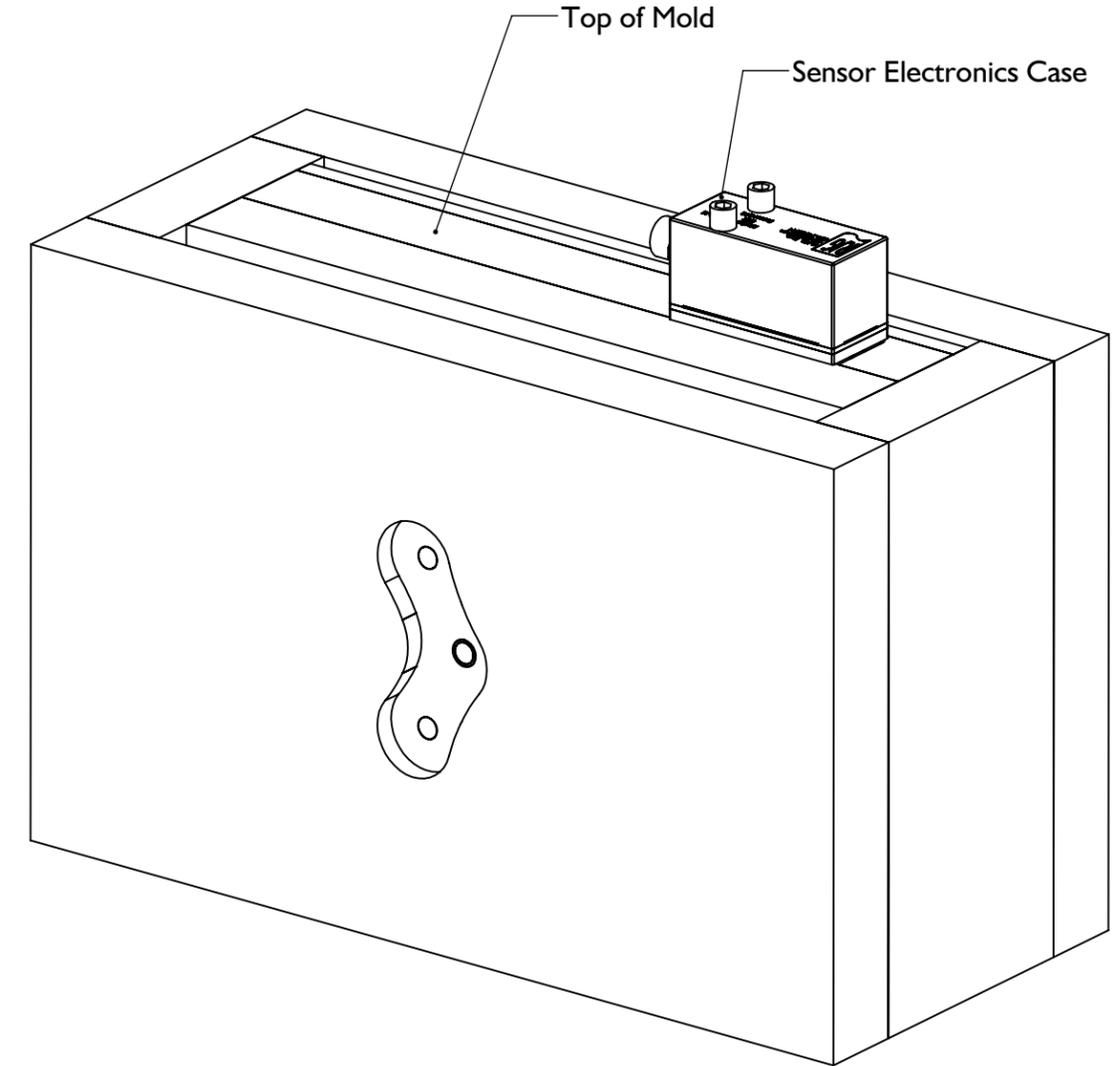
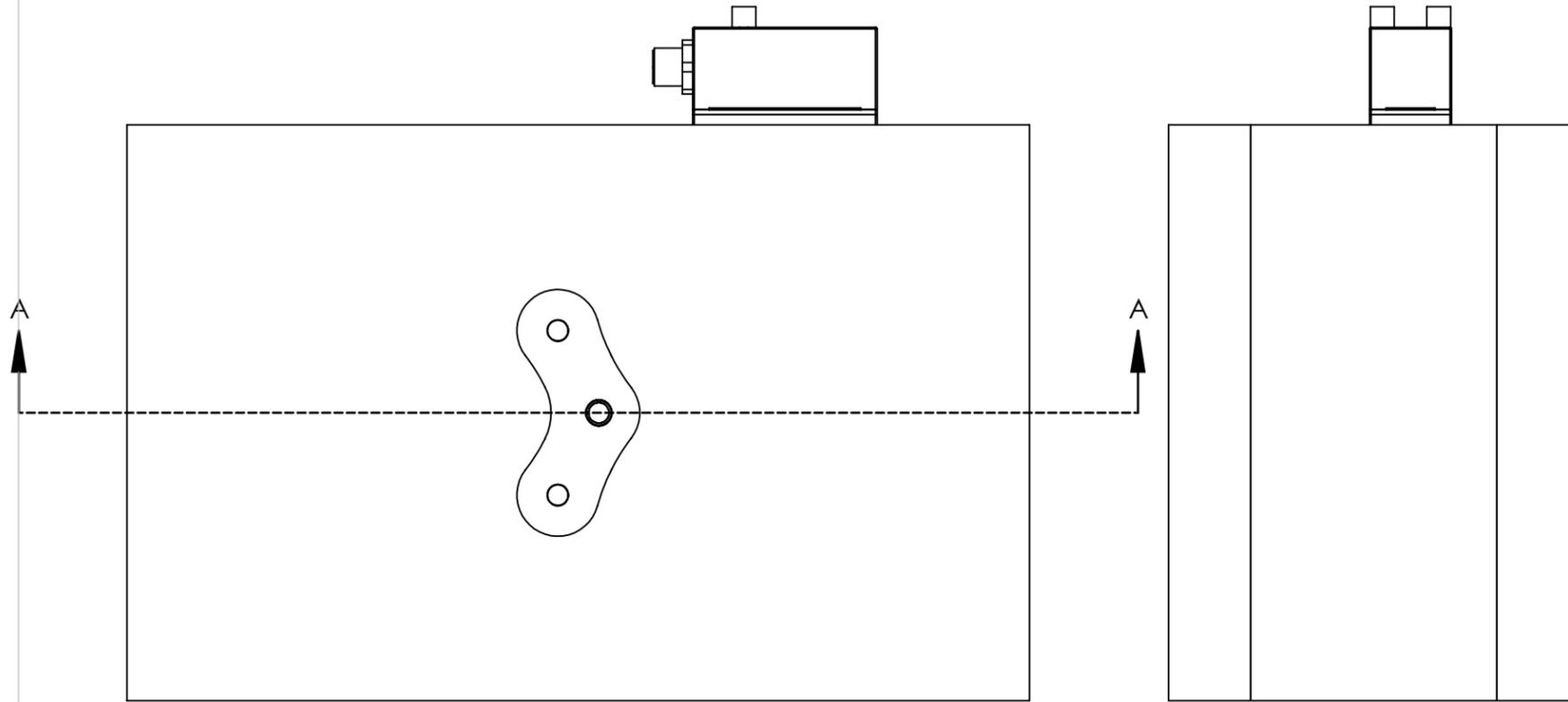


- NOTES:
1. ENCLOSED EJECTOR BOX SUGGESTED.
 2. DO NOT SCALE PRINT
 3. BREAK ALL SHARP EDGES, 0.005 [0.03] R MAX
 4. DIMENSIONS IN INCHES [MM], UNLESS NOTED
 5. TOLERANCES UNLESS SPECIFIED:
 XXX = ± 0.003 [0.08]
 XX = ± 0.01 [0.3]
 ANGLES = $\pm 3^\circ 30'$

 <small>3111 Park Street, Traverso City, NJ 08006 201-244-2111 www.rjg.com</small>	Description: 211M18 Sensor Installation
	Drawn: K.J.Brettschneider
	Design:
	Check: M.Groleau
Date: 01.27.2022	

Drawing Title: 211M18-02

Piezoelectric Load Washer Sensor 211M18 Standard Installation



SECTION A-A
SCALE 1 : 2

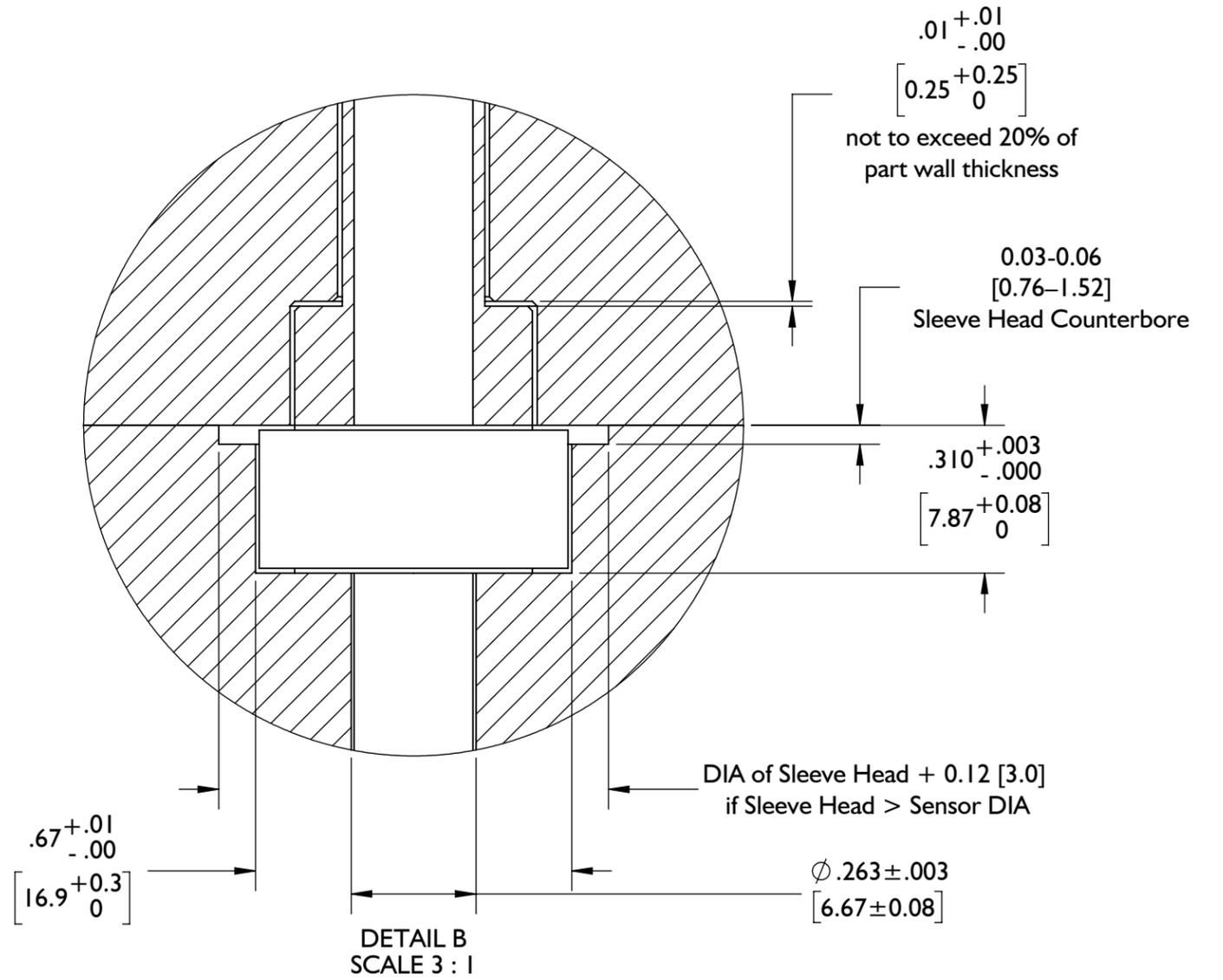
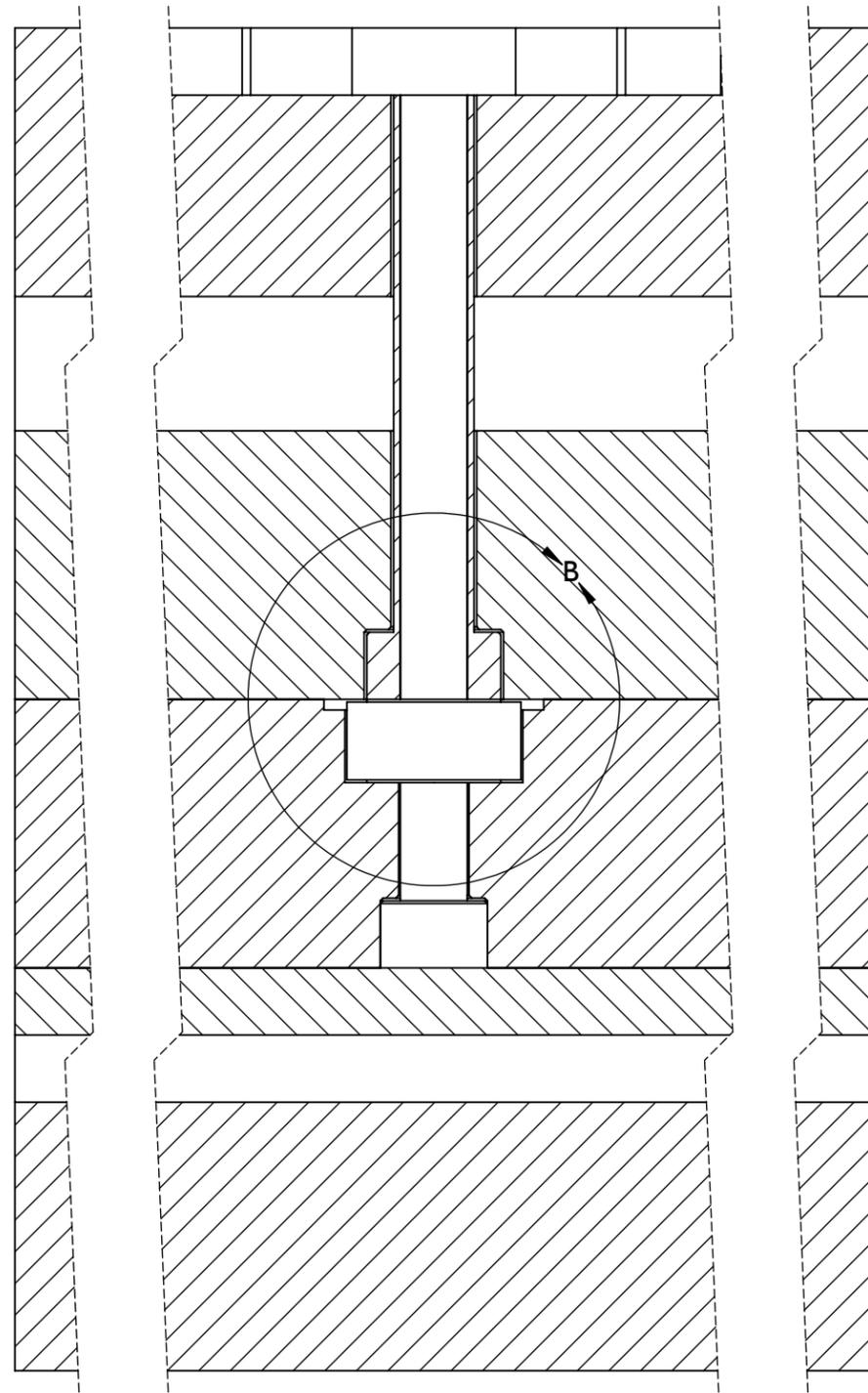
NOTES:

1. ENCLOSED EJECTOR BOX SUGGESTED.
2. DO NOT SCALE PRINT
3. BREAK ALL SHARP EDGES, 0.005 [0.03] R MAX
4. DIMENSIONS IN INCHES [MM], UNLESS NOTED
5. TOLERANCES UNLESS SPECIFIED:
 XXX = ± 0.003 [0.08]
 XX = ± 0.01 [0.3]
 ANGLES = $\pm 3^\circ$ 30°



Description: 211M18 Sensor Installation
 Drawn: K.J.Brettschneider
 Design:
 Check: M.Groleau
 Date: 01.27.2022

Piezoelectric Load Washer Sensor 211M18 Standard Installation

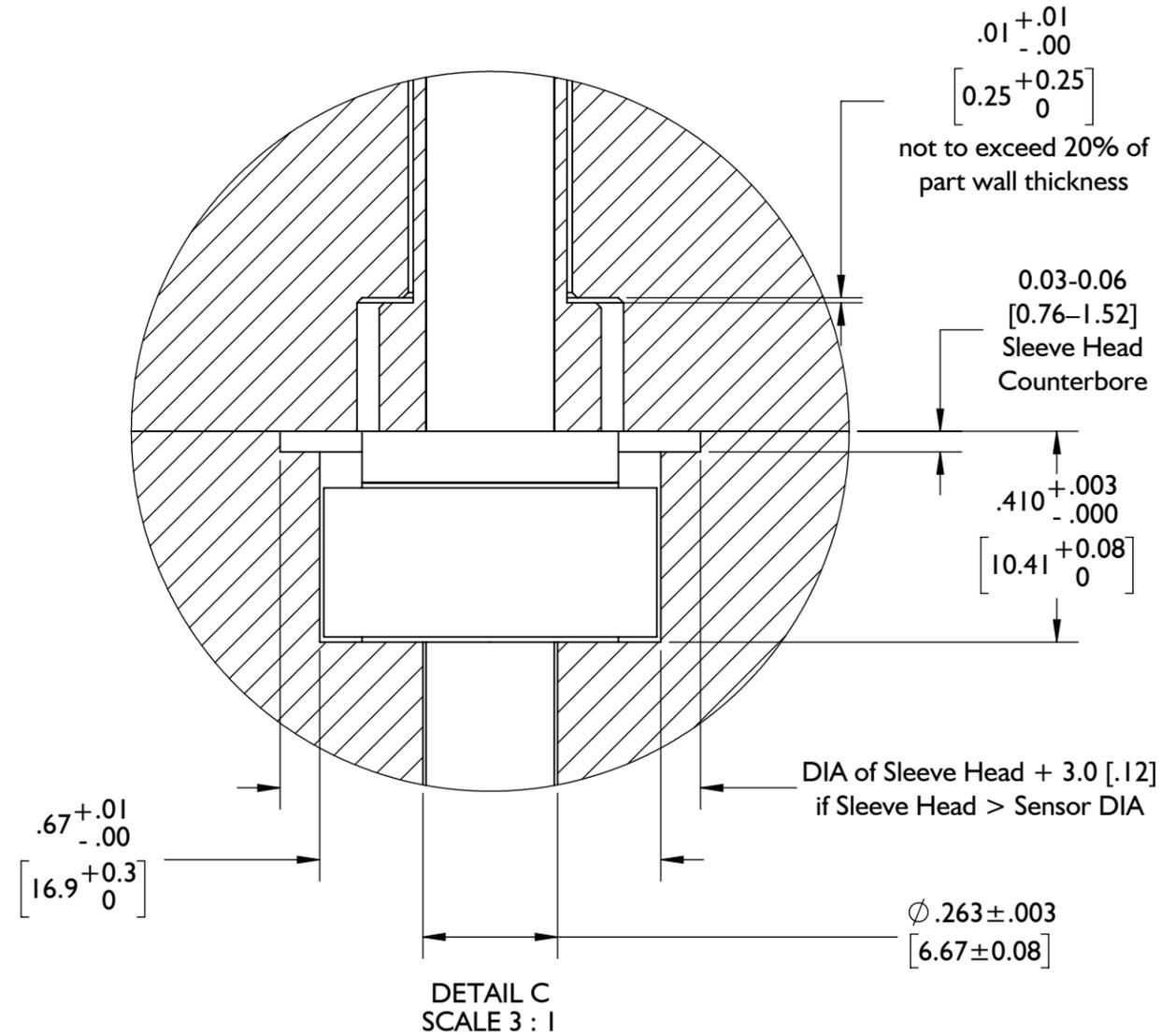
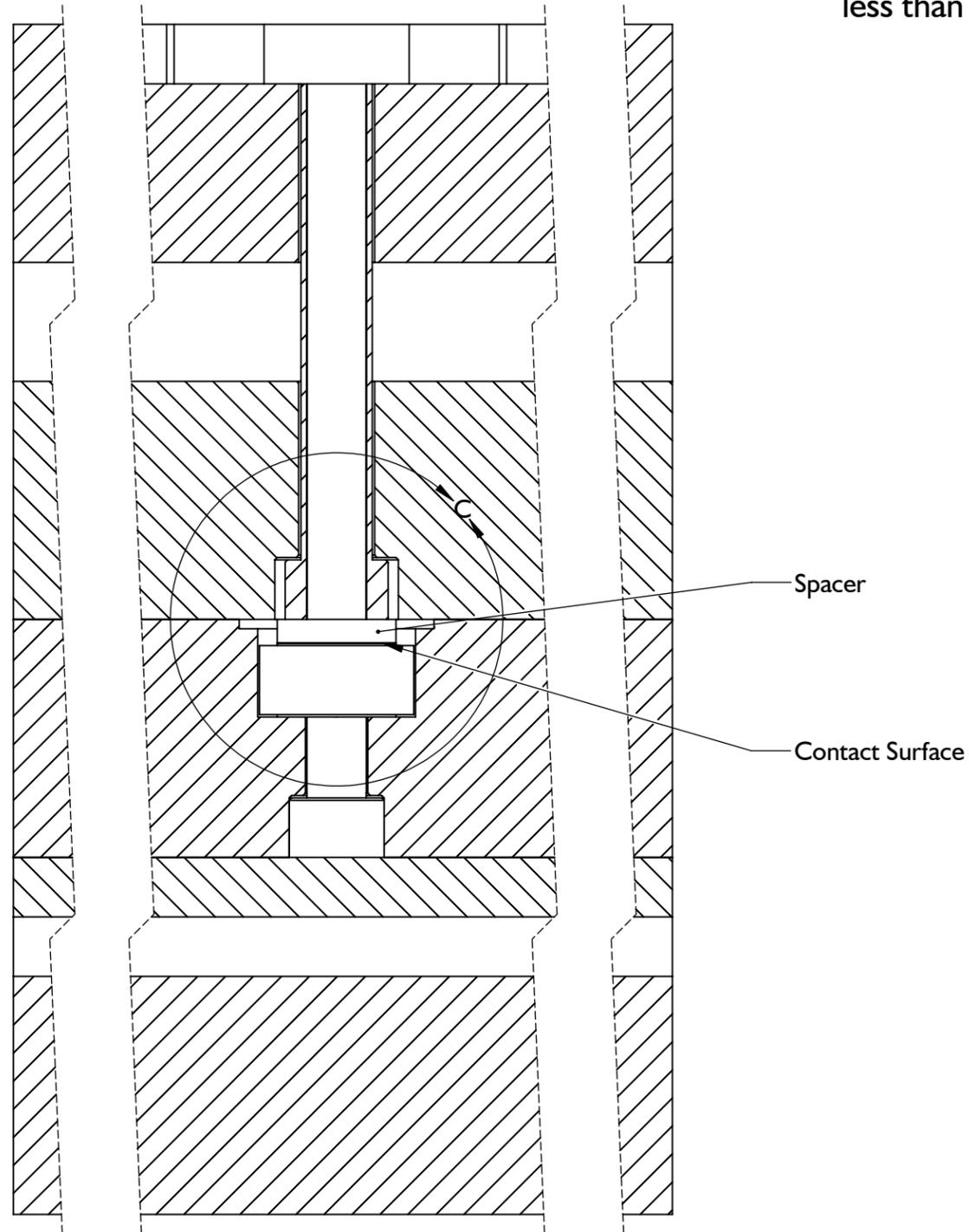


NOTES:

1. ENCLOSED EJECTOR BOX SUGGESTED.
2. DO NOT SCALE PRINT
3. BREAK ALL SHARP EDGES, 0.005 [0.03] R MAX
4. DIMENSIONS IN INCHES [MM], UNLESS NOTED
5. TOLERANCES UNLESS SPECIFIED:
 XXX = ± 0.003 [0.08]
 XX = ± 0.01 [0.3]
 ANGLES = $\pm 3^\circ 30'$

 <small>3111 Park Street, Traverso City, NJ 08006 201-244-2111 WWW.RJG.MI</small>	Description: 211M18 Sensor Installation
	Drawn: K.J.Brettschneider
	Design: M.Groleau
	Date: 01.27.2022

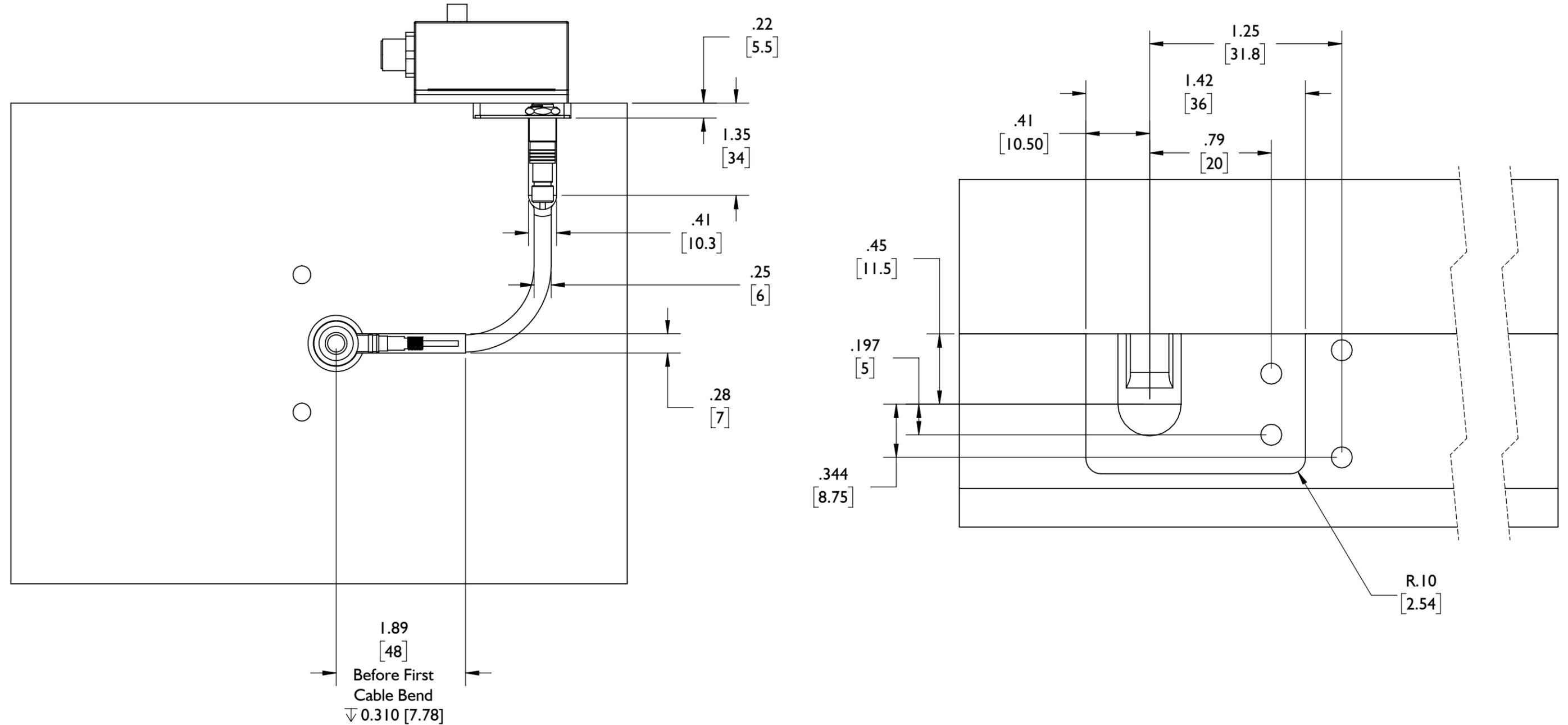
Piezoelectric Load Washer Sensor 211M18 Optional Installation
 Customer-supplied spacer required if head of sleeve contacts
 less than 80% of sensor loading surface.



- NOTES:
1. ENCLOSED EJECTOR BOX SUGGESTED.
 2. DO NOT SCALE PRINT
 3. BREAK ALL SHARP EDGES, 0.005 [0.03] R MAX
 4. DIMENSIONS IN INCHES [MM], UNLESS NOTED
 5. TOLERANCES UNLESS SPECIFIED:
 XXX = ± 0.003 [0.08]
 XX = ± 0.01 [0.3]
 ANGLES = $\pm 3^\circ$ 30°

<p>311 Park Street, Traverso City, NJ 08086 201-244-2111 www.rjg.com</p>	Description: 211M18 Sensor Installation
	Drawn: K.J.Brettschneider
	Design:
	Check: M.Groleau
Date: 01.27.2022	

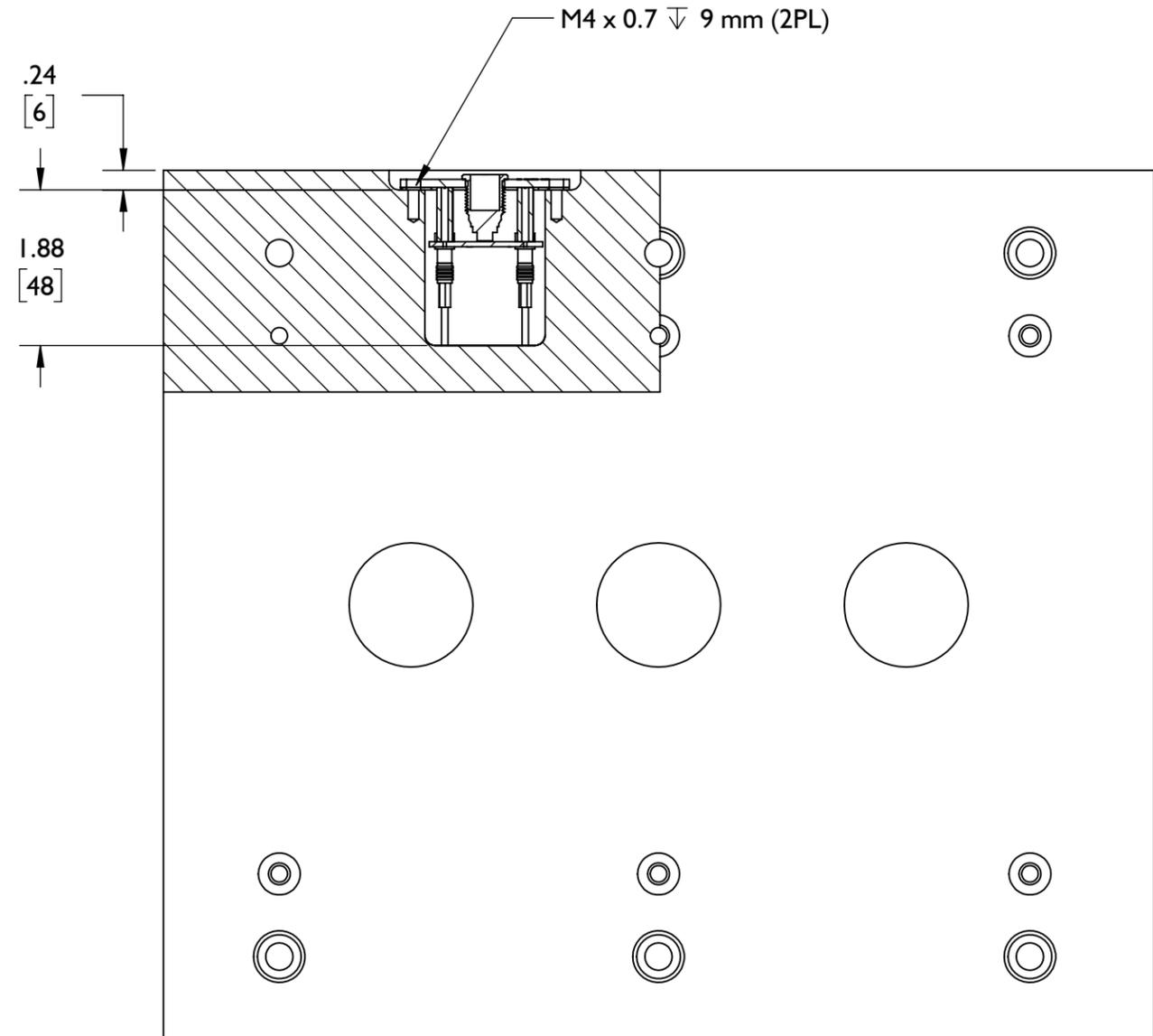
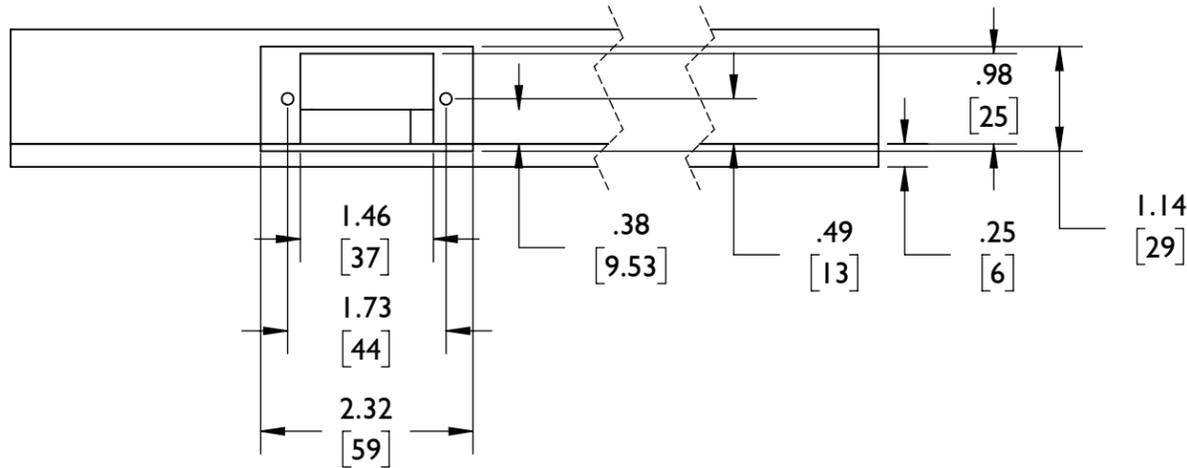
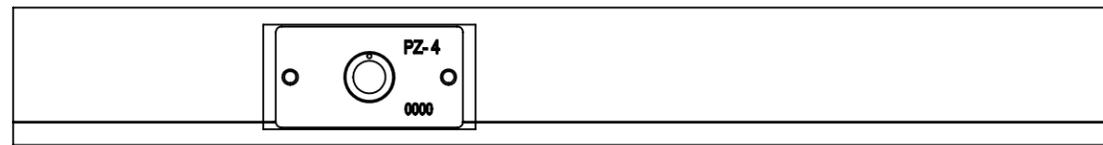
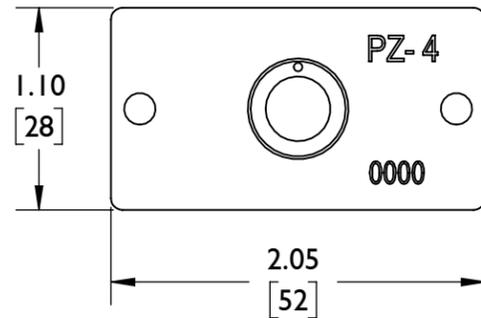
Piezoelectric Load Washer Sensor 211M18 Single-Channel Installation



- NOTES:
1. ENCLOSED EJECTOR BOX SUGGESTED.
 2. DO NOT SCALE PRINT
 3. BREAK ALL SHARP EDGES, 0.005 [0.03] R MAX
 4. DIMENSIONS IN INCHES [MM], UNLESS NOTED
 5. TOLERANCES UNLESS SPECIFIED:
 XXX = ±0.003 [0.08]
 XX = ±0.01 [0.3]
 ANGLES = ±3° 30°

 <small>3111 Park Street, Traverse City, MI 49686 231-944-2111 www.rjg.com</small>	Description: 211M18 Sensor Installation
	Drawn: K.J.Brettschneider
	Design:
	Check: M.Groleau
Date: 01.27.2022	

Piezoelectric Load Washer Sensor 211M18 Four-Channel Installation
 Four-Channel Piezoelectric Sensor Connector PZ-4 Installation

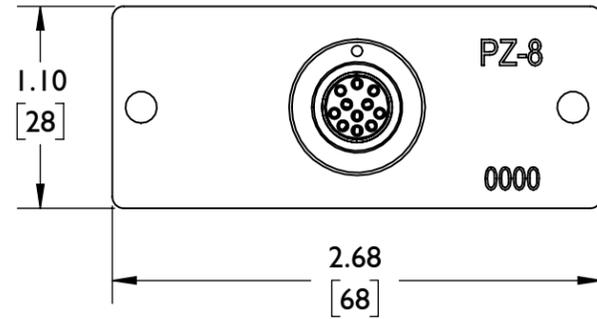


NOTES:

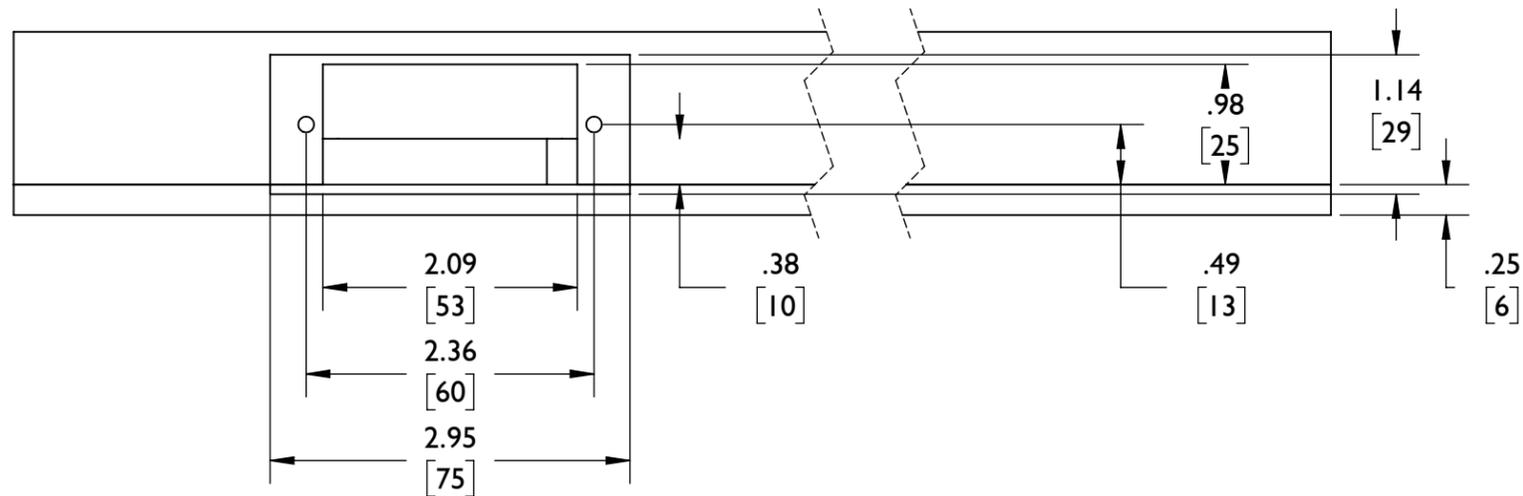
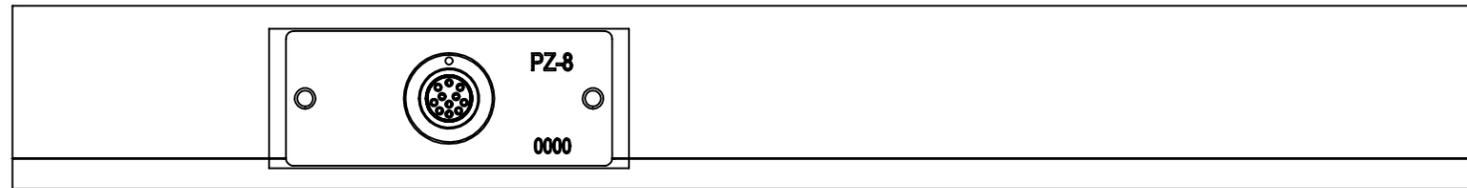
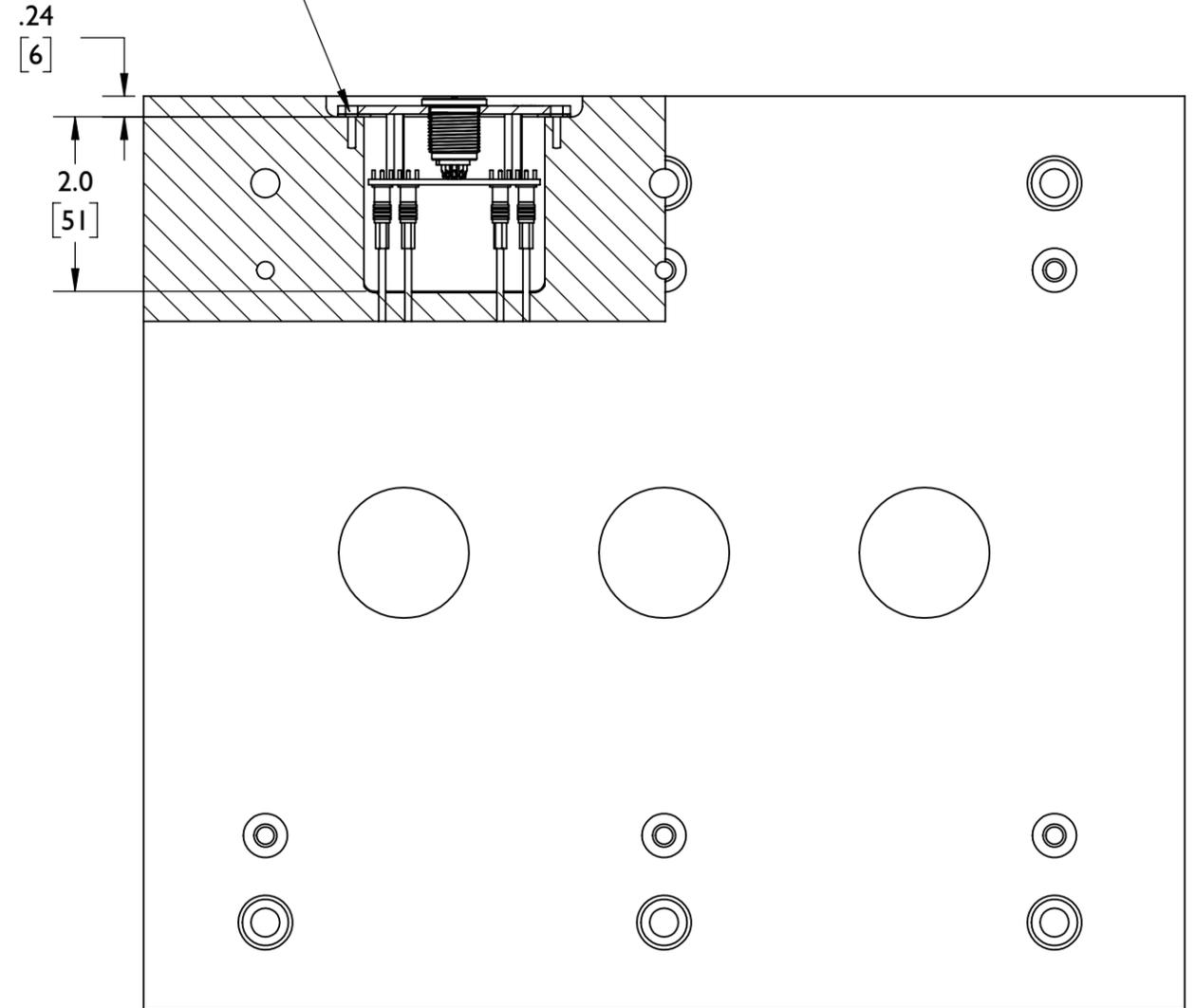
1. ENCLOSED EJECTOR BOX SUGGESTED.
2. DO NOT SCALE PRINT
3. BREAK ALL SHARP EDGES, 0.005 [0.03] R MAX
4. DIMENSIONS IN INCHES [MM], UNLESS NOTED
5. TOLERANCES UNLESS SPECIFIED:
 XXX = ±0.003 [0.08]
 XX = ±0.01 [0.3]
 ANGLES = ±3° 30°

 <small>311 Park Street, Traverso City, NJ 08006 201-244-2111 WWW.RJG.COM</small>	Description: 211M18 Sensor Installation
	Drawn: K.J.Brettschneider
	Design:
	Check: M.Groleau
Date: 01.27.2022	

Piezoelectric Load Washer Sensor 211M18 Eight-Channel Installation
 Eight-Channel Piezoelectric Sensor Connector PZ-8 Installation



M4 x 0.7 ∇ 9 mm (2PL)



- NOTES:
1. ENCLOSED EJECTOR BOX SUGGESTED.
 2. DO NOT SCALE PRINT
 3. BREAK ALL SHARP EDGES, 0.005 [0.03] R MAX
 4. DIMENSIONS IN INCHES [MM], UNLESS NOTED
 5. TOLERANCES UNLESS SPECIFIED:
 XXX = ± 0.003 [0.08]
 XX = ± 0.01 [0.3]
 ANGLES = $\pm 3^\circ 30'$

<p>3111 Park Street, Traverse City, MI 49606 231-944-2111 WWW.RJG.MI</p>	Description: 211M18 Sensor Installation
	Drawn: K.J.Brettschneider
	Design:
	Check: M.Groleau
Date: 01.27.2022	